



# INSTALLATION INSTRUCTIONS

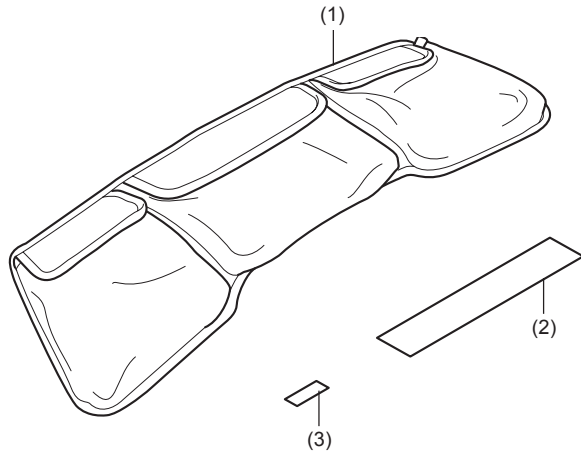
Accessory  
**TRUNK LID ORGANIZER**  
P/N 08L63-MCA-100B

Application  
**GL1800**

Publications No.  
**MII 11185**  
Issue Date  
**July 2005**

**Honda Dealer: Please give a copy of these instructions to your customer.**

## PARTS LIST



No.	Description	Qty
(1)	Trunk lid organizer	1
(2)	Cargo label	1
(3)	Tire label	1

## SUPPLIES REQUIRED

Isopropyl alcohol  
Shop towel

## USE AND CARE INFORMATION

The weight of the cargo must not exceed the following maximum weight capacity:

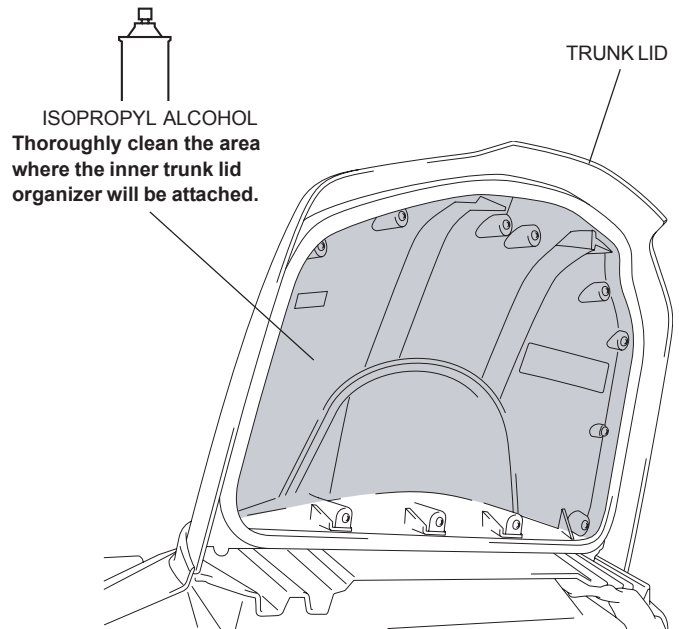
Maximum Weight Capacity	
Trunk lid organizer	1.0 lbs (0.45 kg)

## INSTALLATION

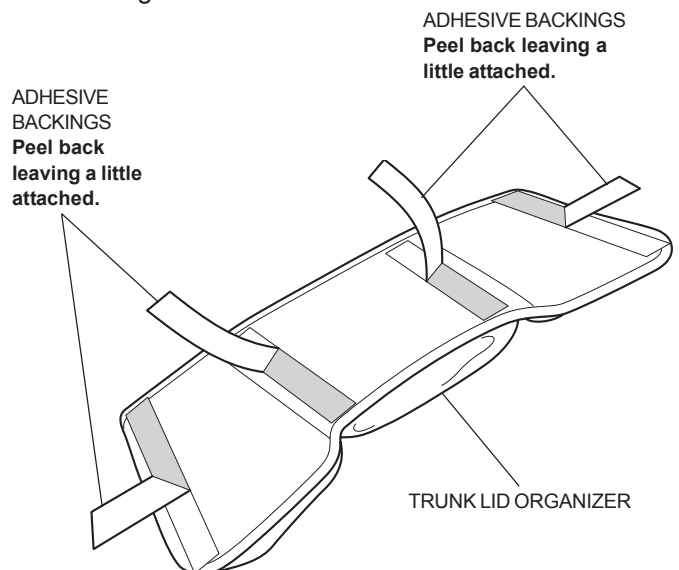
### NOTE:

- The high tack adhesive reaches full strength in 72 hours. Wait at least 24 hours before riding your motorcycle.

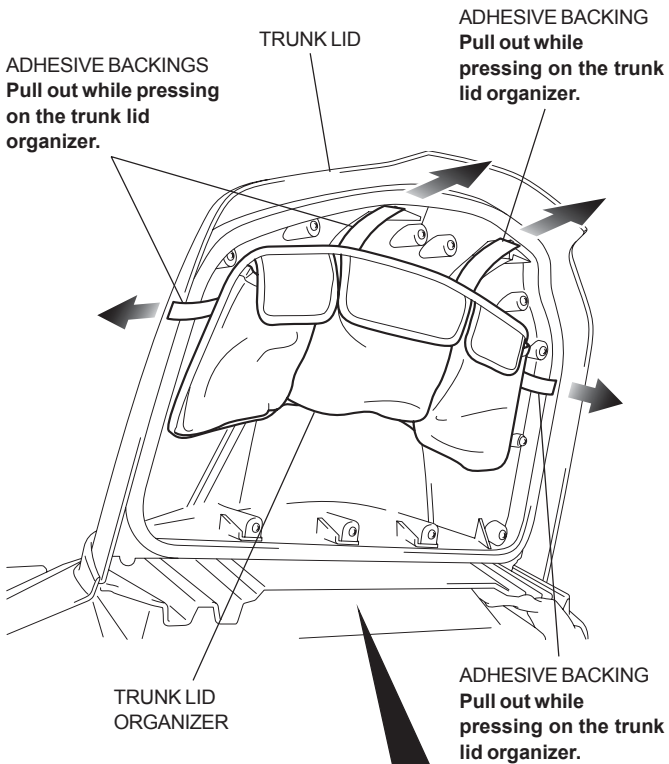
- Open the trunk and clean the area shown with a shop towel and isopropyl alcohol.



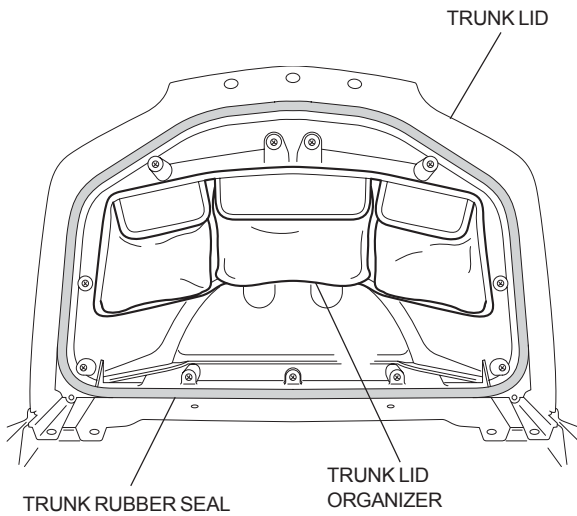
- Peel back the adhesive backings on the back of the trunk lid organizer, leave a small part of the adhesive backings attached as shown.



- Position the trunk lid organizer on the trunk lid by aligning its contour with the contour of the trunk lid as shown. Pull out the adhesive backings while pressing on the trunk lid organizer with the palm of your hand and secure the trunk lid organizer to the trunk lid.



Install the trunk lid organizer with care not to interfere with the trunk rubber seal.



- Attach the caution labels in the positions shown.

