



INSTALLATION INSTRUCTIONS

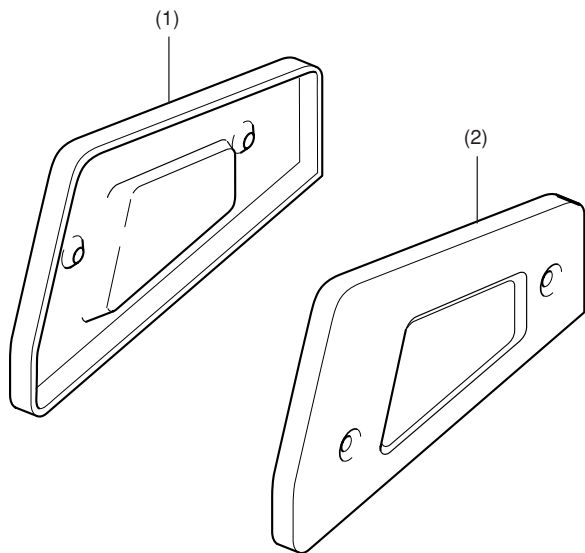
Accessory
CHROME PASSENGER FLOOR BOARD UNDER COVERS
 P/N 08F86-MCA-100G

Application
GL1800

Publications No.
 Issue Date
September 2000

Honda Dealer: Please give a copy of this instruction to your customer.

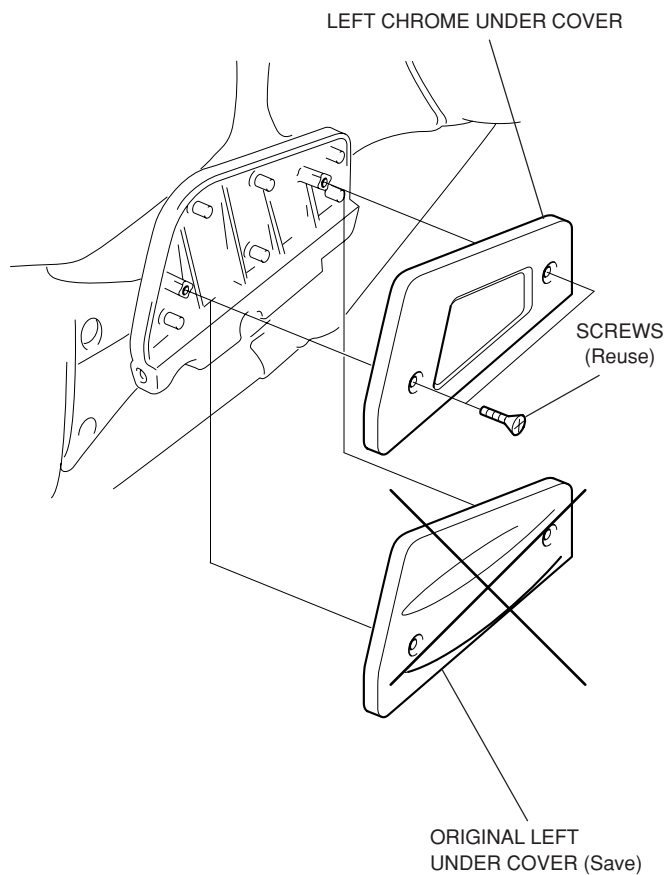
PARTS LIST



No.	Description	Q'ty
(1)	Right chrome under cover	1
(2)	Left chrome under cover	1

INSTALLATION

1. Remove the original screws and left under cover. Install the chrome under cover from the kit in the reverse order of removal.



2. Install the right chrome under cover using the same procedure.