



INSTALLATION INSTRUCTIONS

Accessory

PASSENGER AUDIO CONTROLLER
P/N 08E96-MCA-100G

Application

GL1800

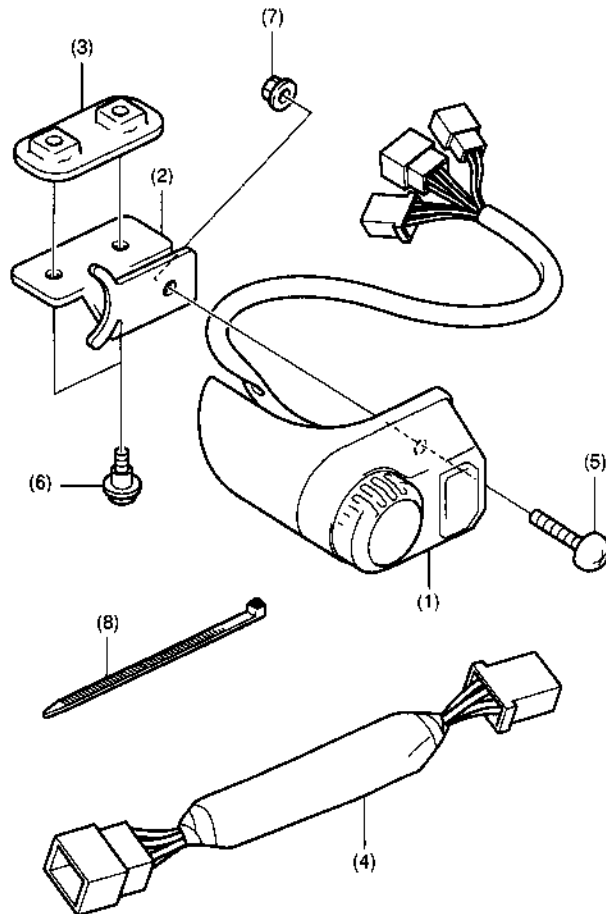
Publications No.

Issue Date

July 2005

Honda Dealer: Please give a copy of these instructions to your customer.

PARTS LIST



No.	Description	Qty
(1)	Controller	1
(2)	Bracket A	1
(3)	Bracket B	1
(4)	Attenuator	1
(5)	5 mm screw (long)	1
(6)	5 mm stepped screw (short)	2
(7)	5 mm nut	1
(8)	Wire tie	2

TOOLS AND SUPPLIES REQUIRED

- Box-end wrench (8 mm)
- Phillips ® screwdriver
- Electric drill motor
- Drill bit (7.5 mm)
- Marker
- Torque wrench

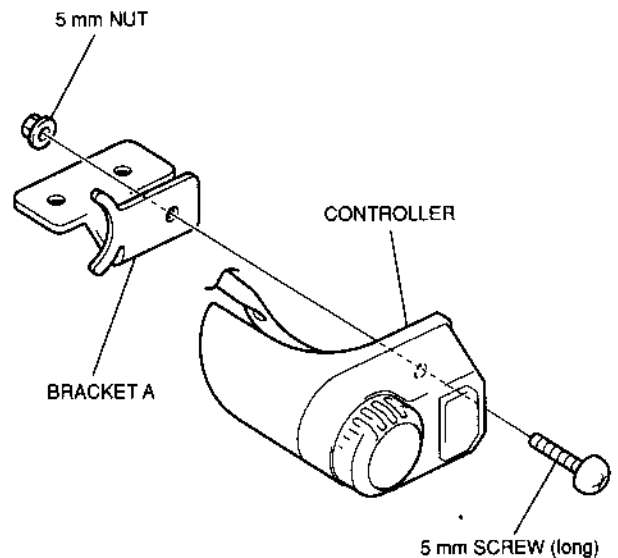
TORQUE CHART

Tighten all screws, bolts and nuts to their specified torques. Refer to the Service Manual for the tightening torques of removed parts.

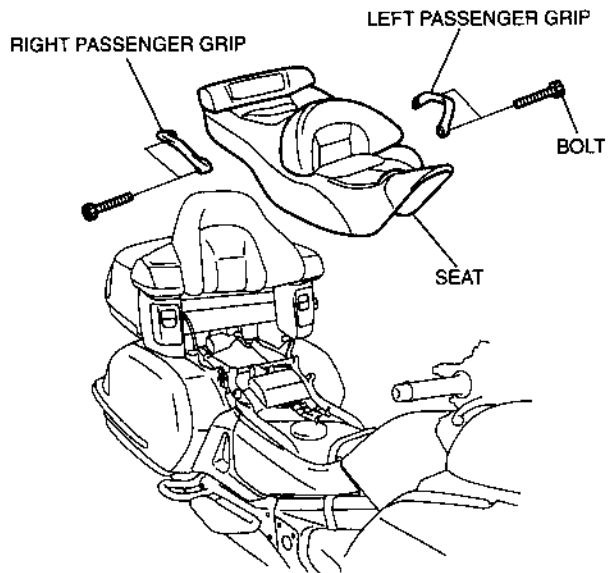
Item	N·m	kgf·m	lbf·ft
5 mm screw	4	0.4	2.9
5 mm nut	5	0.5	3.6

INSTALLATION

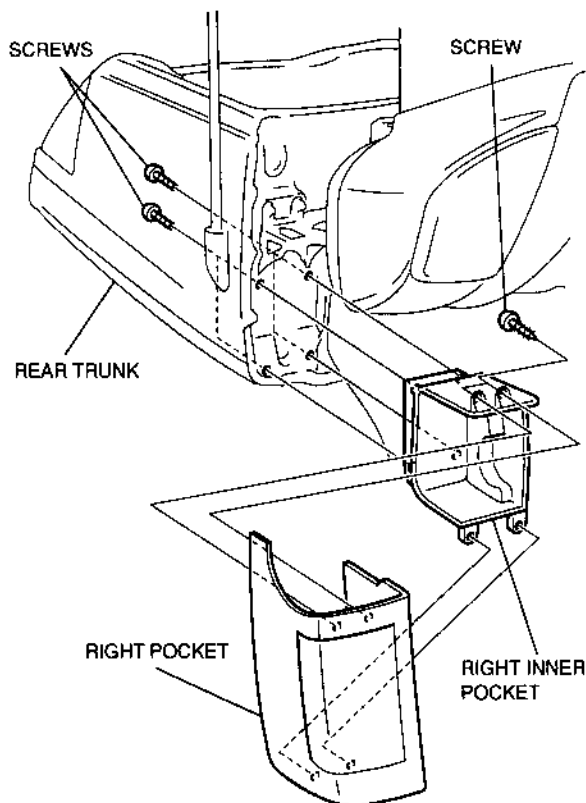
1. Install the controller on the bracket A.



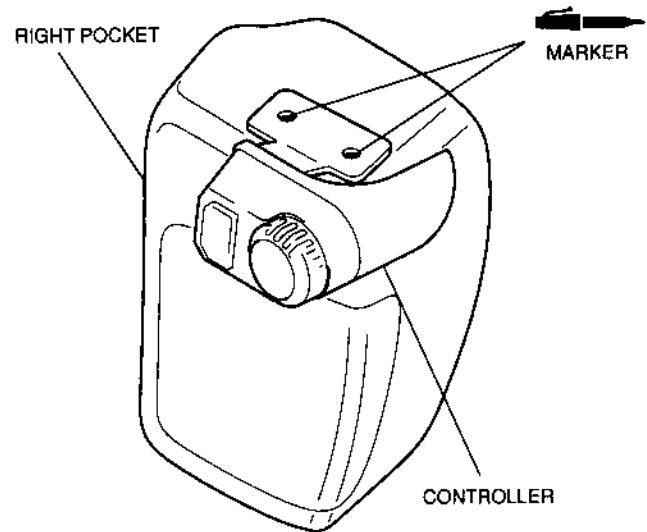
2. Remove the seat from the motorcycle as described in the Service Manual.
 - For the type with heated seat: Disconnect the connector.



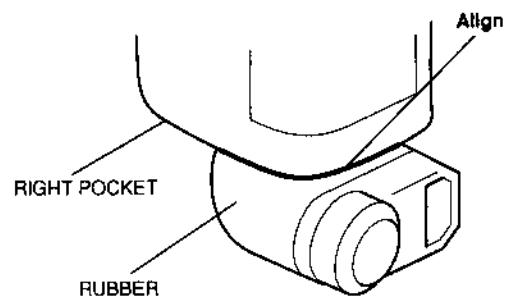
3. Disconnect the negative cable from the battery.
4. Remove the right pocket.



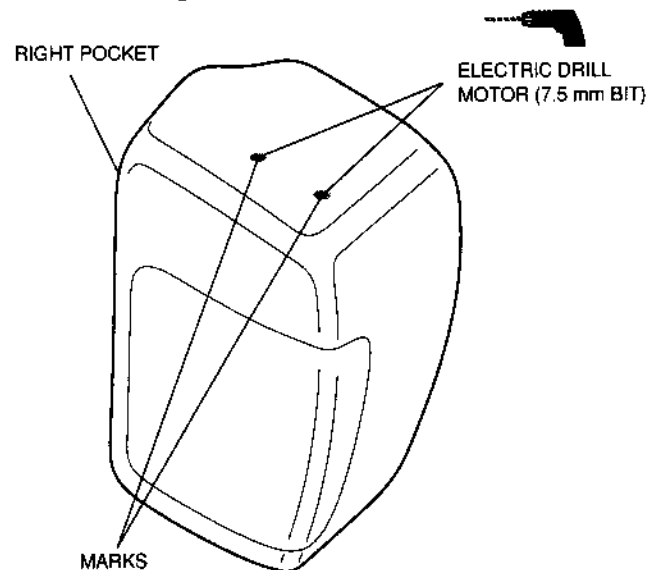
5. Position the controller on the right pocket in the area shown, then mark the pocket at the center of each hole in the controller with a marker. Remove the controller from the right pocket.



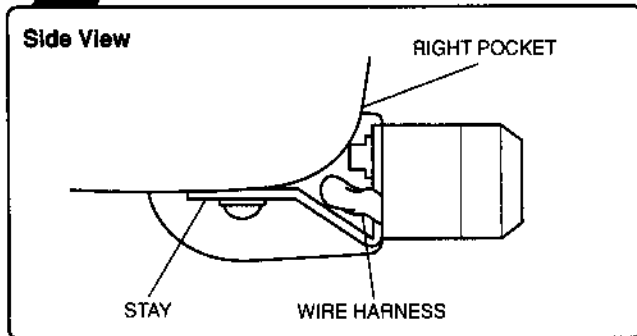
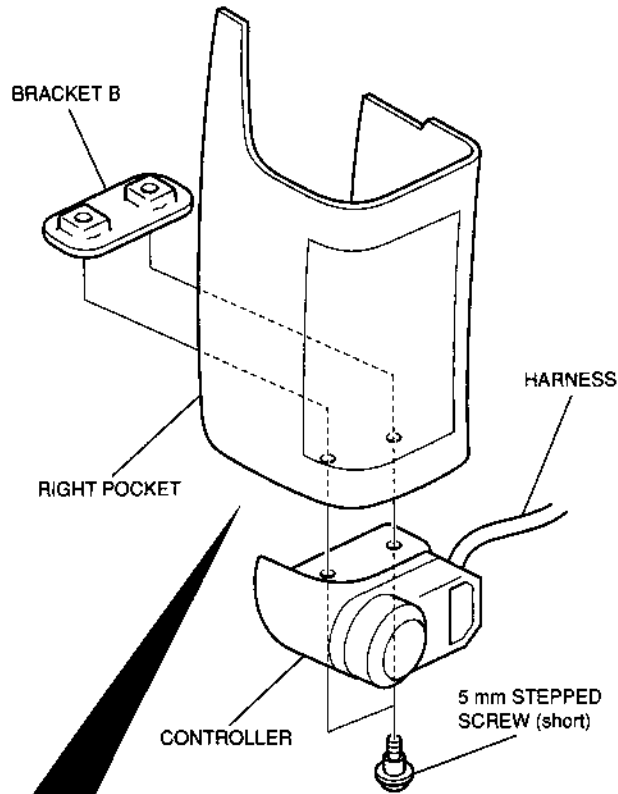
Align the right pocket with the rubber of controller as shown.



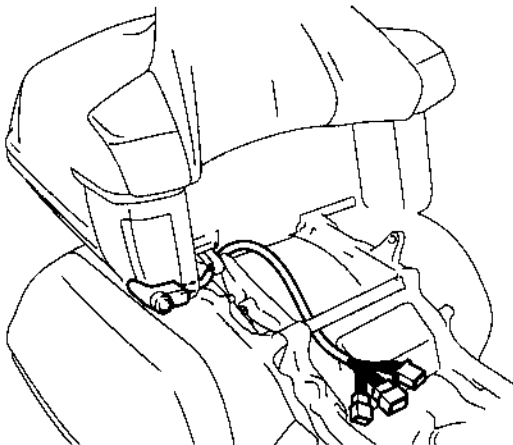
6. Using an electric drill motor and drill bit, drill a 7.5 mm hole through each mark.



7. Install the controller on the right pocket.

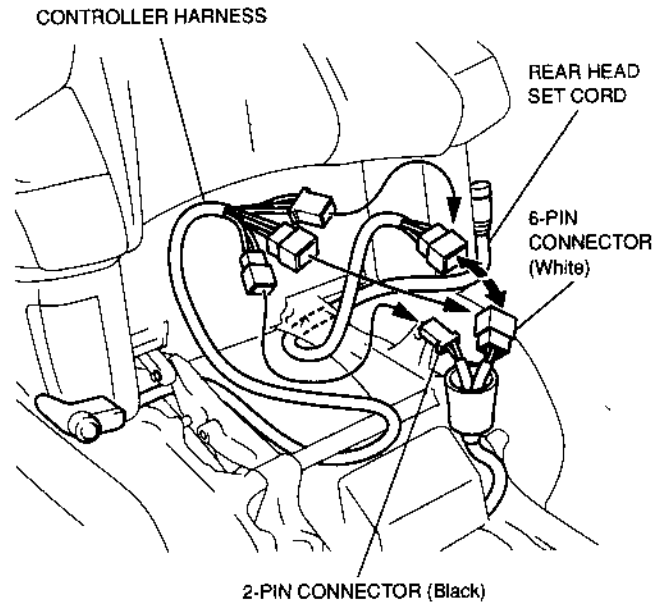


8. Reinstall the right inner pocket in the right pocket.
9. Route the harness as shown, then reinstall the right pocket in the reverse order of removal.

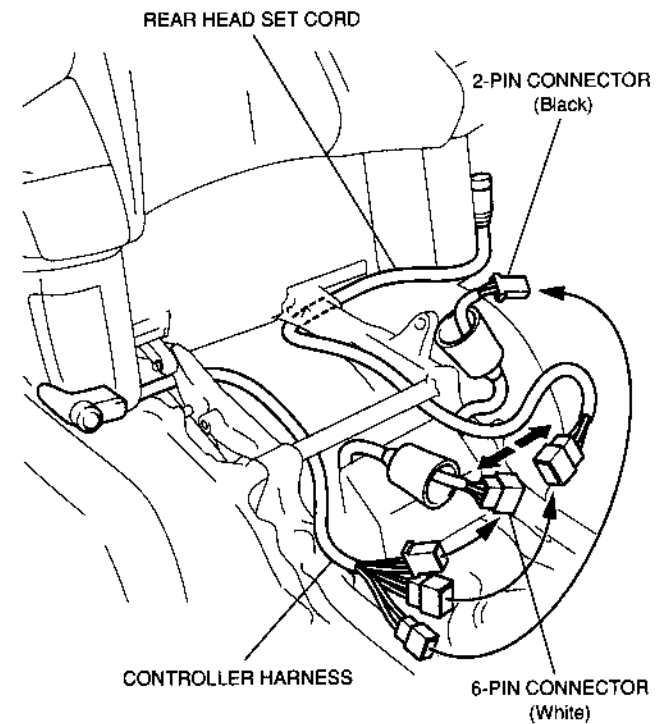


10. Disconnect the negative cable to the battery.
Connect the controller harness to the motorcycle's harness.

- Up to '05 year model -

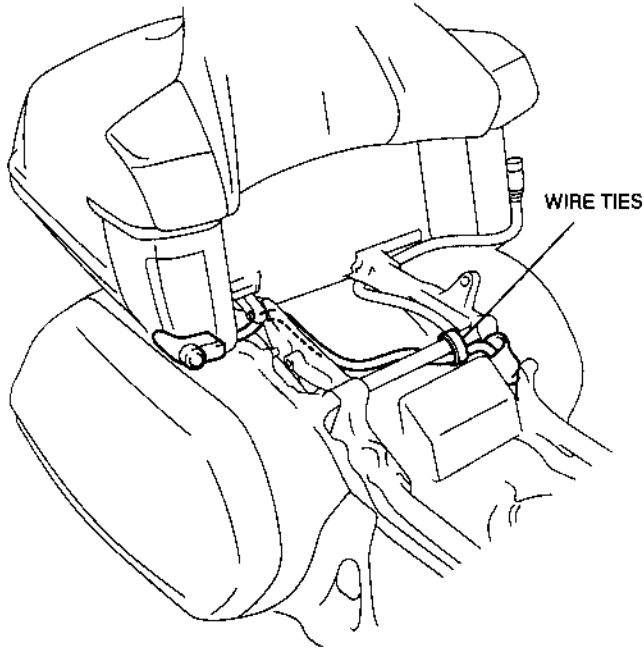


- From '06 year model -

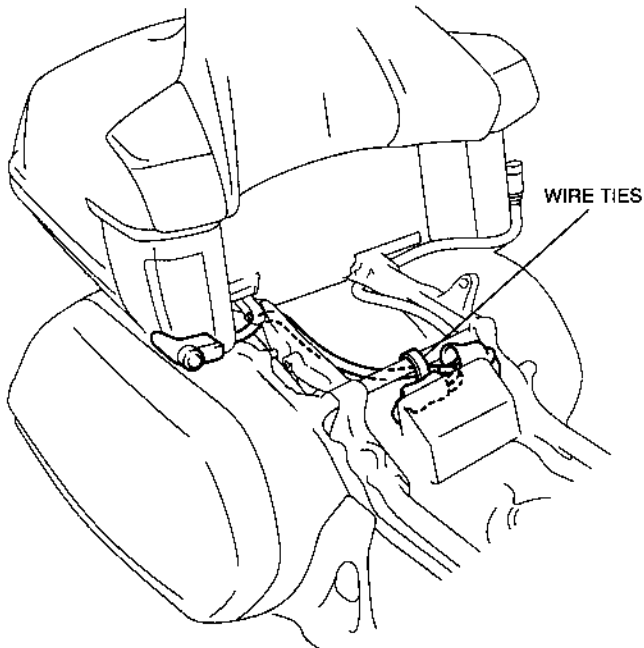


11. Secure the harness with the two wire ties in the areas shown.

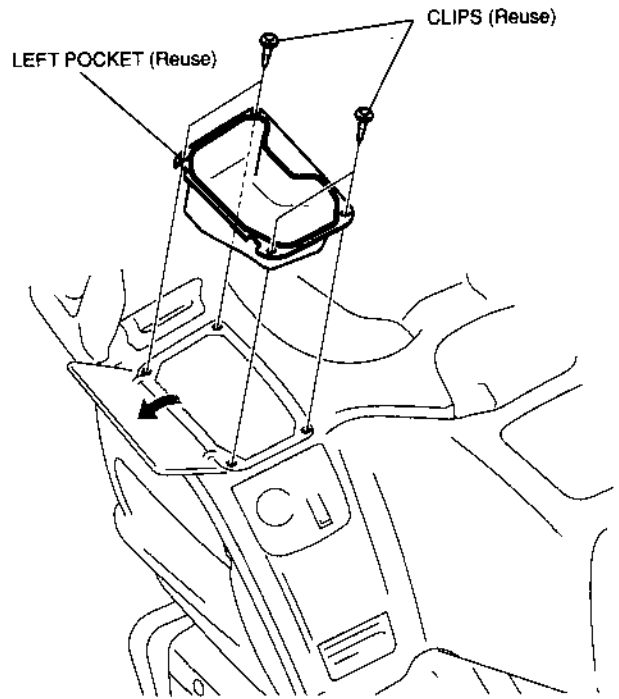
- Up to '05 year model -



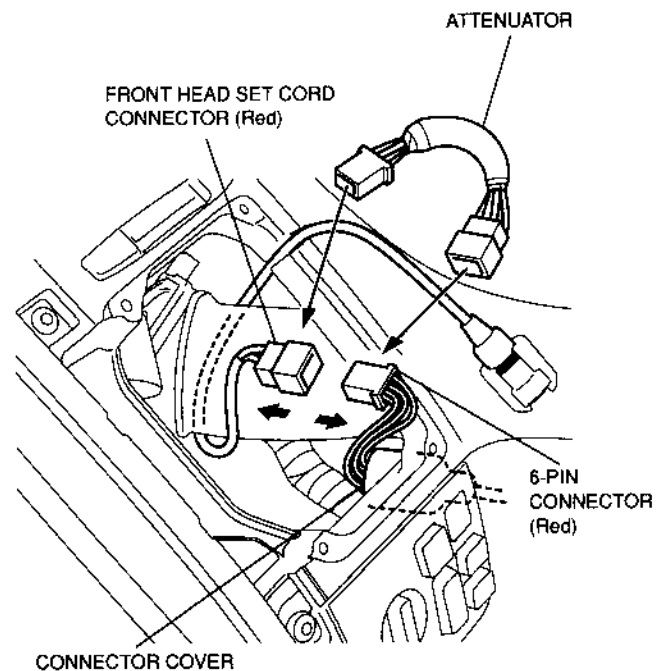
- From '06 year model -



12. Remove the left pocket.



13. Connect the attenuator to the 6-pin connectors of the motorcycle's harnesses as shown.



14. Connect the negative cable to the battery.

15. Reinstall the left pocket in the reverse order of removal.

16. Reinstall the seat in the reverse order of removal.